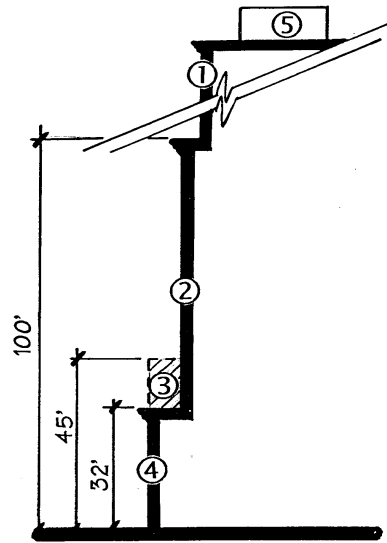


Figure 12.2 a
 Building Height(s) and Setbacks



- ① Additional Setback After 100'
- ② Required Setback
- ③ Setback Option
- ④ No Height Setback for First Two Stories (32')
- ⑤ Mechanical Not Included In Height